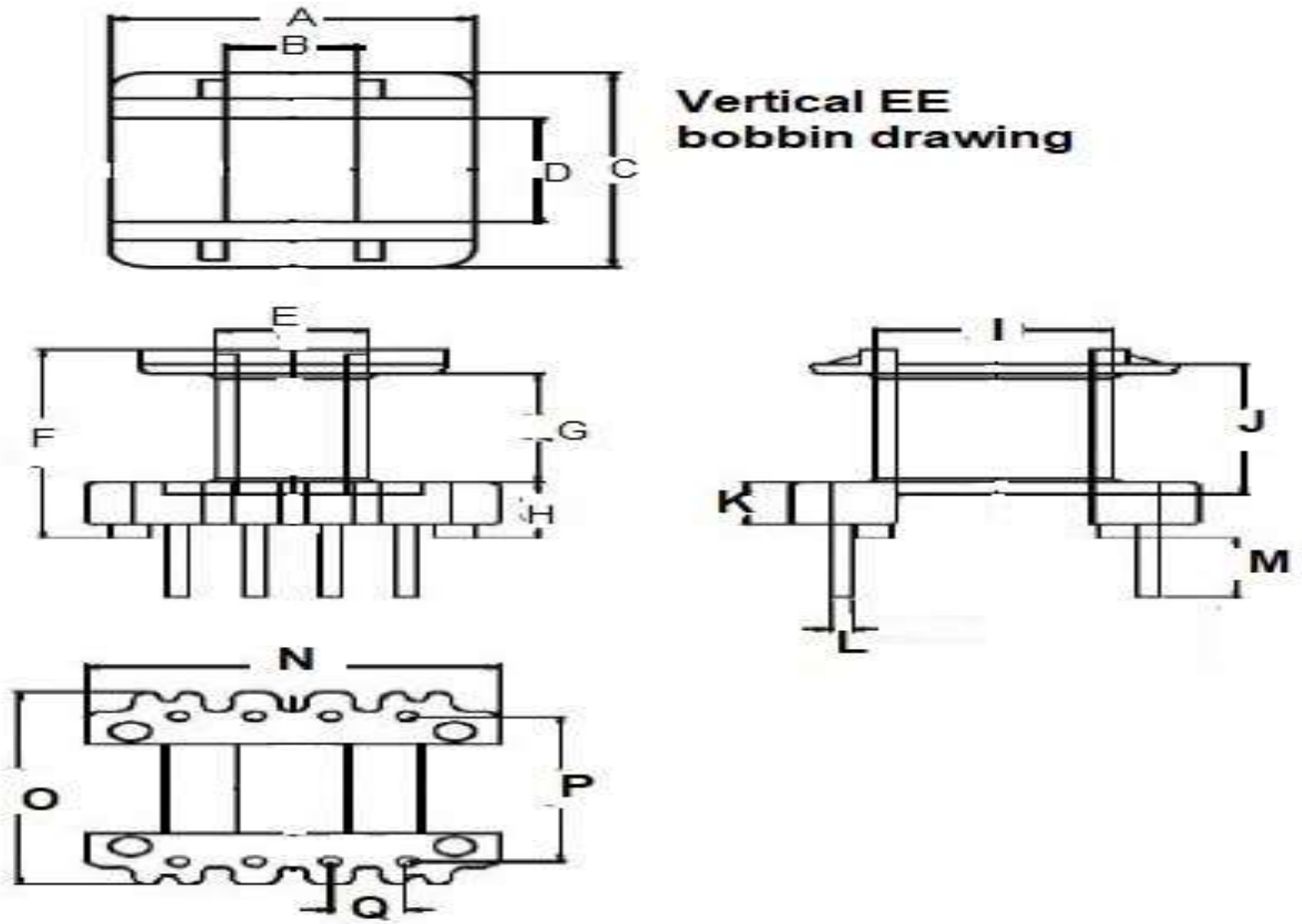


**Technical Data Sheet RoHS Compliant Product**

**EE19\*8\*10 V Bobbin (Vertical)**



**Vertical EE bobbin drawing**

**Product Specifications:**

Geometry	Pin	A	B	C	D	E	F	G	H	I	J	K	L	M	N	O	P	Q
EE19*8*10 V	5+5	14.00	5.00	18.90	10.00	7.00	15.60	8.90	4.80	11.90	10.80	2.60	0.80	3.50	19.00	19.30	14.80	4.00

<b>Geometry: EE19*8*10 (V) 5+5 P</b>	<b>Material:</b> Phenolic	<b>Scale:</b>	<b>Angle:</b> ±1° ▲
	<b>Pin Material:</b> CP Wire	<b>Unit:</b> mm	<b>Document Rev:</b> 0
	<b>Pin Pitch Tolerance:</b> ±0.20mm	<b>UL REQ:</b> UL 94V-0	
	<b>Dimensions Tolerances:</b> 0~4mm: ±0.1mm, 4~16mm: ±0.2mm, 16~63mm: ±0.3mm		